



**THE WORLD'S PREMIER
LASER PHOTODISRUPTOR**

Multimodality YAG Laser Optimized
For Advanced Clinical Treatments



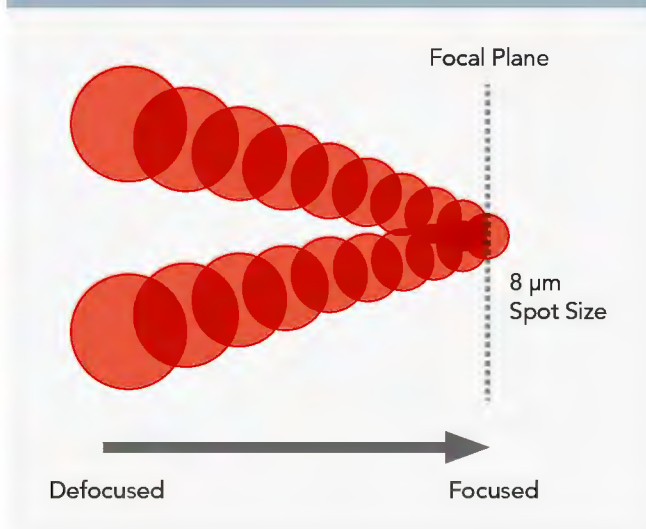
LIGHTLas YAG™
LASER PHOTODISRUPTOR

SUPERIOR PERFORMANCE IN A CLASS OF ITS OWN



The industry's most popular laser photodisruptor, the LIGHTLas YAG™ combines unparalleled functionality, safety, and versatility.

Twin Aiming Focusing System



Twin Aiming Focusing System

- **Precision With Ease:** Fine-focusing aiming beam system allows both beams to converge together at the focal target to create a sharp and easily readable spot

Unmatched Long-Term Performance

- **Proprietary Auto-Calibration:** Engages in auto-calibration mode as soon as the microprocessor senses degradation in output power over predetermined levels
- **Unique Self-Diagnosis Feature:** Laser will automatically set optimum internal parameters to assure peak performance

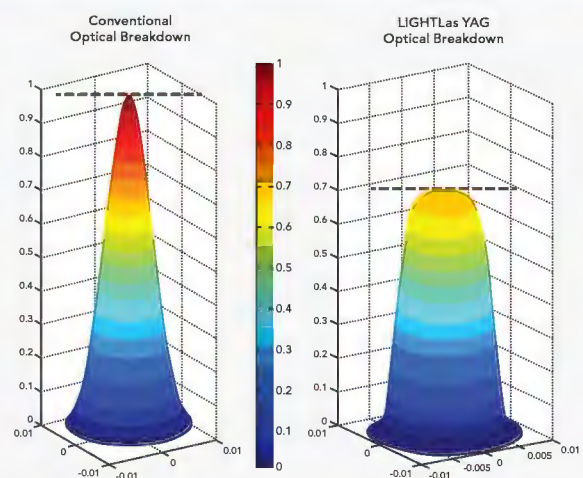
Built-In Five Position Magnification Changer

- **Exceptional Viewing:** From fine structures to the wide-field view of the retina, the integrated magnification changer helps improve diagnosis capabilities at a convenient working distance

Superb Crystal Q-Switch Laser Technology

- **Powerfully Crafted:** The unit is operated through a laser-fire Q-Switch conveniently integrated into the system
- **Unique Laser Cavity Technology:** Provides optimum tissue-cutting precision and consistent shot-to-shot output energy at the industry's lowest optimal breakdown levels
- **Advanced Noise Reduction:** Improves patient compliance and allows procedures to be completed with lower energy levels to help reduce treatment side effects and lens pitting

LIGHTLas YAG Crystal Q-Switch Gaussian Profile



ADVANCED ANTERIOR AND POSTERIOR CAPABILITIES



A progressive laser both inside and out, the LIGHTLas YAG™ features the industry's largest range of focal plane shift paired with precision optics to assist in precise procedures with optimal outcomes.

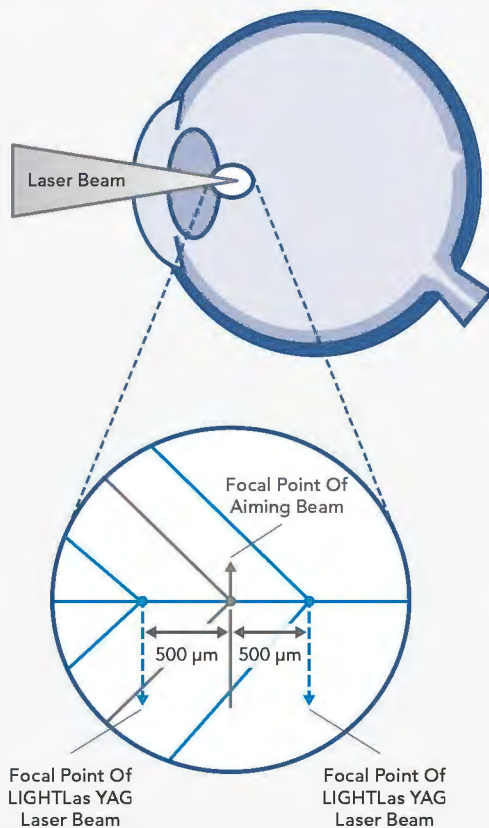
Posterior/Anterior Laser Offset: $\pm 500 \mu\text{m}$

- **Large Focus Shift:** Allows detailed titration of treatment focus without compromising comfort and preventing the possibility of lens pitting
- **Clinical Versatility:** Essential for multi-patient environments with numerous IOL types
- **Adjustable Setting:** Extensive range of $\pm 500 \mu\text{m}$ for higher accuracy and greater control

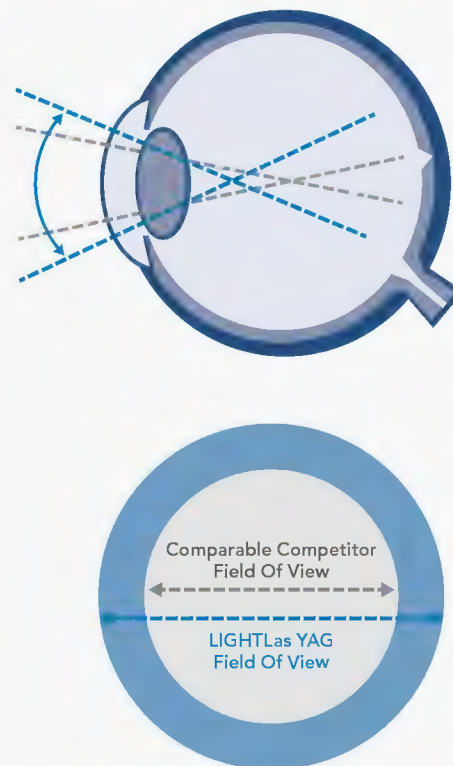
Quality Precision Optics

- **Superior Anterior Segment Procedures:** Optimized design includes high-resolution slit lamp and quality components
- **Crisp Field Of View:** Beam splitter-free design features internally coated safety optics to assure unmatched procedural viewing

$\pm 500 \mu\text{m}$ Posterior/Anterior Offset



LIGHTLas YAG Field Of View



ULTIMATE UPGRADEABILITY



The LIGHTLas YAG™ and LIGHTLas SLT Deux™ (YAG/SLT combination laser) can also be upgraded to the V-series, which adds YAG laser vitreolysis functionality to create an even more powerful multi-purpose anterior and posterior workstation: LIGHTLas YAG-V™ or LIGHTLas SLT Deux-V™.

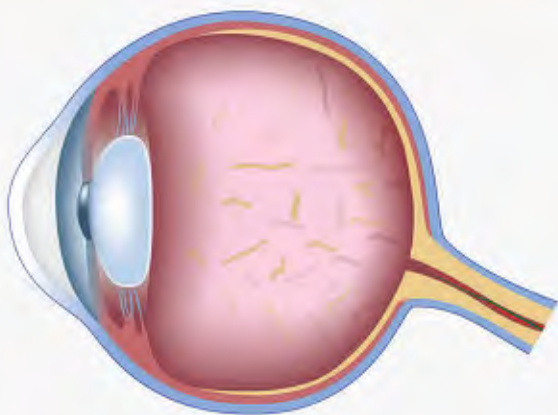
V-Series: Flexibility For Successful Vitreolysis Treatment

Optimized for both posterior and anterior YAG laser therapy, LIGHTLas YAG-V allows surgeons to perform anterior or posterior capsulotomies with new-generation IOLs, peripheral iridotomies for glaucoma, and vitreolysis to treat vitreous strands and opacities—all with a single instrument.

The advanced LIGHTLas YAG-V laser has the capability to perform a non-invasive and safe treatment for vitreous strands.

- Uses a unique and advanced design to illuminate deeper into the vitreous
- Provides an unobstructed laser beam that allows more control, convenience, and precision during each treatment
- Ensures precise positioning of the optical breakdown and provides protection of adjacent tissue with the precision of the two-point aiming system and wide-offset range

Vitreous Humor And Floaters



Vitreous opacities and strands are also known as eye floaters that drift in the vitreous humor of the eye. The LIGHTLas YAG-V laser can be used to perform vitreolysis, which can evaporate vitreous opacities and sever vitreous strands, therefore eliminating the visual burdens caused by the floaters.

“ I was impressed with the quality of the LIGHTMED YAG-V laser and vitreolysis capabilities, and also its built-in ability to upgrade and include SLT functionality at any time (LIGHTLas SLT Deux-V). The laser functioned perfectly in every situation. In fact, one patient who had a vitrectomy scheduled because of his floaters was so happy after his treatment, he canceled the vitrectomy. Any practice would benefit from this laser and its full platform of ophthalmic procedures. ”

Stewart Galloway, MD; Crossville, TN

SIMPLISTIC DESIGN THAT ALLOWS INFINITE OPTIONS



In addition to a suite of advanced features and service, LIGHTLas YAG™ offers a comprehensive selection of combinations as your practice grows and clinical needs change.



Range Of Workstation Options

- **Powerful Photocoagulator Integration:** Works with the LIGHTLas 532™ (green), LIGHTLas 577™ (yellow), and LIGHTLas 810™ (infrared) that utilize traditional continuous wave (CW) and exclusive SP-Mode™ (sub-threshold technology) to form a photocoagulator/photodisruptor workstation
- **Treatment Adaptability:** Convenient attachment that mounts on the LIGHTLas YAG without affecting its core performance to deliver the photocoagulator treatment laser. The laser console can be conveniently located on a specially designed swivel plate for enhanced functionality, or mounted on the side column for enhanced space
- **Clinical Versatility:** Uniquely upgradeable at any time to include the Selective Laser Trabeculoplasty (SLT) feature to function as an integrated YAG/SLT laser for increased product value and space savings



Intelligent And Ergonomic Features

- **Convenient Operation:** Dual hand controls enable comfortable use under all treatment conditions, while externally mounted chin rest facilitates convenient accommodation of patient posture
- **Modular Design:** Assures better treatment and enhances faster and easier maintenance
- **Perfect Precision:** Advanced laser firing mechanism utilizes a direct fire-to-joystick switch mechanism to assure advanced performance

Premier Service

- **Best-In-Class Coverage:** Every LIGHTLas YAG comes with the reassurance of the industry-leading warranty from LIGHTMED™
- **Convenient Service:** Assure reduced product downtime with multiple service centers across the US for quick maintenance or in-office repair

Technical Specifications

Model	LIGHTLas YAG™ Photodisruptor
Laser type	Crystal Q-switched Nd:YAG
Wavelength	1064 nm
Energy range	0.2 to ≤ 15 mJ (in single pulse mode) 10 to ≤ 25 mJ (in double pulse mode) 20 to ≤ 45 mJ (in triple pulse mode)
Pulse width	4 nanoseconds
Treatment spot size	8 μm
Burst mode	1, 2, or 3 pulses each burst; selectable
Mode structure	Fundamental; diffraction limited
Average air breakdown	≤ 2.1 mJ; ≤ 1.5 mJ (in liquid solution)
Cone angle	16°
Treatment beam offset range	±500 μm; continuously variable
Laser repetition rate	Up to 3.0 Hz (single pulse); up to 2.3 Hz (double pulse); up to 2 Hz (triple pulse)
Aiming beam	Dual beam laser diode; continuous wave (CW); 635 nm (red)
Magnification	Integrated 5-position: 5x, 8x, 14x, 25x, and 38x
Cooling	Air convection; passive
Dimensions	72 cm (L) x 54 cm (W) x 54 cm (H) 28 in (L) x 21 in (W) x 21 in (H)
Weight	21 kg, 46.3 lbs. (system) 28 kg, 61.7 lbs. (packed)
Power requirements	100 – 240 VAC, 50/60 Hz auto-ranging
Power rating	500 VA

Specifications are subject to change without notice. LIGHTMED™ devices are made strictly in accordance with the international laser safety standards: EN60601-1, EN60601-1-1, EN60601-1-1-2, EN606901-2-22, IEC60825-1 Rev: DCA60001

Optional Accessories

- Dual plug beam splitter
- Observation tube
- Photographic camera adaptor
- Video camera adaptor
- Iridotomy laser lens
- Capsulotomy laser lens
- SLT laser lens
- Mid-vitreous lens

Accessory Tables

- U-recessed and extension arms single column table
- Dual column table wheel chair accessible table

All tables come supplied with height adjustable armrest. Tables are available in white upon request.



1130 Calle Cordillera | San Clemente, CA 92673 | USA
T: 949-218-9555 | F: 949-218-9556 | sales@lightmed.com
www.lightmed.com